

# HENRY

**STUDIO SERGEANT VOF**  
Philemon Haumanstraat 88  
9140 Temse  
Belgium

[www.studiosergeant.be](http://www.studiosergeant.be)  
[info@studiosergeant.be](mailto:info@studiosergeant.be)

Edition: september 2016



## DESCRIPTION AND FUNCTIONALITY

HENRY is a shelf tower with several benefits that is available in black and white in two sizes, high and low. It can be placed in the room as an eye-catcher or discretely in a corner. HENRY is stand-alone, independent and accessible from all sides. It can be used as a space divider as well as supplemental piece of furniture and it can be applied in different rooms such as the bathroom, living room or hallway. Thanks to the invisibly mounted wheels HENRY can be easily moved and rotated. A steel divider and drawer - available in white and pastel blue - enhances and completes the functionality of HENRY. This multifunctionality was a starting point for the design process. In addition to the functionality of this compact storage unit, there was also paid very close attention to the ingenious composition of the cabinet. HENRY is build by staggering the different modules with mitred sawn edges in a specific order. Because of these atypical detailing of HENRY, there arises an extremely fine contour and the core of the multiplex remains visible.

HENRY is delivered fully assembled. Studio Sergant always uses a virtual client for his designs. This client is a person that has influenced the design through his/her actions and or work. In this design, the name refers to Henry Van de Velde, who designed the Library "The Book Tower" for the Ghent University.

## MATERIAL

Birch plywood (origin: Europe), 12mm, doublesided white melamine or black phenolic resin. Depending on the origin of the plywood panels the color and texture may be different and a few small bruises are possible. The drawers and dividers are made of powder coated steel.

## COLLECTION

- HENRY 1, white, Art.-Nr. 89147
- HENRY 1, black, Art.-Nr. 89146
- HENRY 2, white, Art.-Nr. 89149
- HENRY 2, black, Art.-Nr. 89148
- Divider, pastel blue RAL5024, Art.-Nr. 89165
- Divider, white RAL 9016, Art.-Nr. 89282
- Drawer, pastel blue RAL5024, Art.-Nr. 89166
- Drawer, white RAL 9016, Art.-Nr. 89283

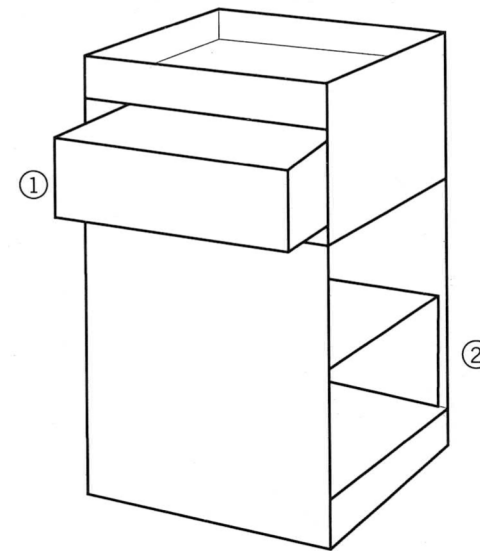
## DIMENSIONS

- HENRY 1: B 42,5 x D 42,5 x H 68cm
- HENRY 2: B 42,5 x D 42,5 x H 123 cm
- Divider: B40 x D 40 x H 17,5cm
- Drawer: B 40 x D 40 x H 12,5 cm

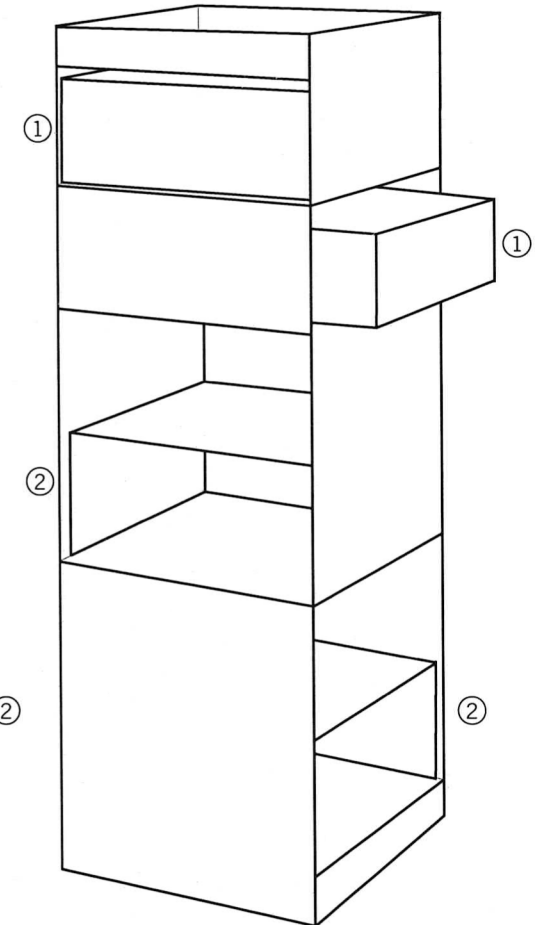
## WEIGHT

- HENRY 1: 14 kg
- HENRY 2: 23,5 kg
- Divider: 4,6 kg
- Drawer: 5,6 kg

HENRY 1



HENRY 2



① DIVIDER

② DRAWER